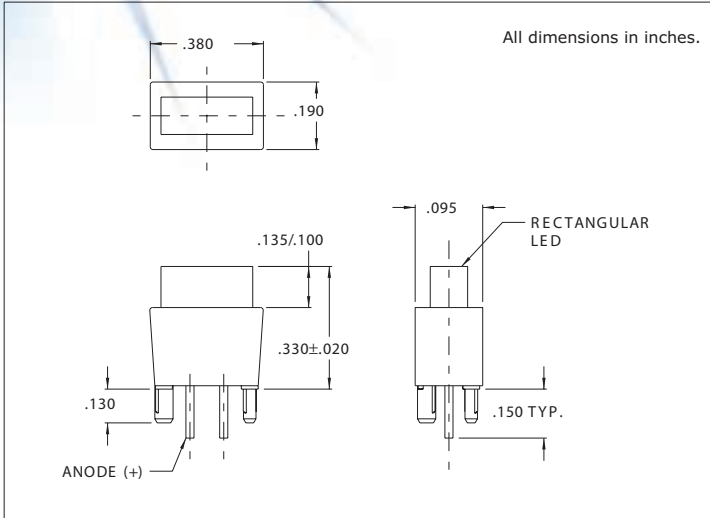


5612 Series Rectangular LED Assembly
DESCRIPTION AND FEATURES



- Features**
- Block mounting design assures height and side-by-side spacing, alignment saves assembly costs.
 - High light output-5mcd (red).
 - Large 2.4mm x 7.3mm flat LED face has even light distribution.
 - Diffusion lens.
 - Holding/Press-in pins secure block to board while being soldered.
 - Standoffs prevent flux entrapment.

Housing: Black Thermoplastic Polyester (UL94V-O)

Mounting hole pattern on page 1-X7.

ELECTRO-OPTICAL CHARACTERISTICS AND RATINGS

Part Number	Emitted Color	Typical Intensity (mcd)	Rated Current (mA)	Continuous Forward Current Max. (mA)	Forward Voltage		Reverse Breakdown Voltage Min. (V)	Peak Wavelength (nm)	Peak Forward Current @ 1ms-300 PPS (A)
					Typ. (V)	Max. (V)			
5612R1	Red	5	20	30	2.1	3.0	5	635	.09
5612R3	Amber	5	20	30	2.2	3.0	5	600	.09
5612R5	Green	3	20	30	2.3	3.0	5	569	.09
5612R7	Yellow	5	20	30	2.2	3.0	5	585	.06